

IRAVATI



IRAVATI

OVERVIEW.

IRAVATI epitomizes sleek sophistication with her contemporary styling and light, neutral interior. This magnificent yacht offers a fine cruising experience, complemented by a highly professional crew dedicated to ensuring your every need is met.

On the main deck, a staircase from the swim platform leads to the cockpit, where free-standing furniture sets the tone for relaxation. The main deck lounge has an L-shaped sofa to port accompanied by armchairs to starboard the space exudes elegance with its light furnishings and wooden countertops. The formal dining area is ahead and provides a perfect setting for exquisite meals.

A dedicated lobby area precedes the entrance to the master suite, which features a private office, separate his and hers en suite bathrooms, and a large aft-facing king-sized berth. The suite makes a sumptuous retreat to relax and unwind.

Descending to the lower deck unveils four delightful guest suites that give your guest flexible sleeping arrangements. The suites include two double suites to the rear and two twin-berth cabins forward of the lobby. Each suite boasts luxurious en suite bathrooms.

Transitioning to the upper deck, there is a fifth guest suite. This double VIP suite has an elevated view from the starboard side. On deck, the Portuguese bridge seating area, ahead of the wheelhouse, offers panoramic views. The aft deck hosts an al fresco formal dining area and dinette seating. Floor-to-ceiling glass doors open to the sky lounge. Providing a grand space for relaxation and socialising, you'll find a games table, sofa seating, and wet bar.

Returning to the aft deck the sundeck above beckons. A serene retreat with a jacuzzi and vast forward sunpads. An al fresco dining area and free-standing sun loungers on the aft deck complete the outdoor offerings, ensuring ample space for basking in the sun or enjoying a meal with a view.

IRAVATI is equipped with a selection of watersports equipment, catering for all onboard. From tenders (5.5m/18ft and 3.5m/11.5ft) and jetskis to wakeboards, towable toys, water skis, sea scooters, kayaks, a paddleboard, and snorkelling gear, this yacht ensures a thrilling time on the water.

Experience a luxurious superyacht holiday with IRAVATI, where contemporary elegance meets unparalleled comfort, and every detail is tailored for an exceptional charter experience.

Key features

Winner of the Highest Technical Achievement at the Showboats Awards 1998

Stable and tight-knit crew

Jacuzzi on the sun deck

Zero speed stabilisers to reduce any rolling motion while at anchor

IRAVATI

At anchor



Aerial view



Sun deck



Bridge deck jacuzzi



IRAVATI

Bridge deck forward



bridge deck aft dining



Bridge deck aft



Main deck aft



IRAVATI

Main salon



Main salon



Main deck dining



Sky lounge



IRAVATI

SPECIFICATION.



Length
42.4m (139.1ft)



Built
1998 (refitted 2015), Oceanco, The Netherlands



Interior designer
The A Group



Beam
8.9m (29.2ft)



Draft
2.4m (7.9ft)



Gross tonnage
428



Cruising speed
14.5 knots



Maximum speed
17.5 knots



Fuel consumption at cruising speed
450 litres per hour



Engines
2 x 2,285hp MTU



Guests
12



No. of guest cabins
6 (4 x double, 2 x twin)



Crew
9

Note

Fully licensed for charters in Greek waters.

[View yacht on website](#)



IRAVATI

TENDERS & TOYS



2 × Tenders



1 × Deck jacuzzi



1 × Waverunner



1 × SeaBob



1 × Underwater scooter



1 × Kayak



2 × Stand up paddleboards



Wakeboard



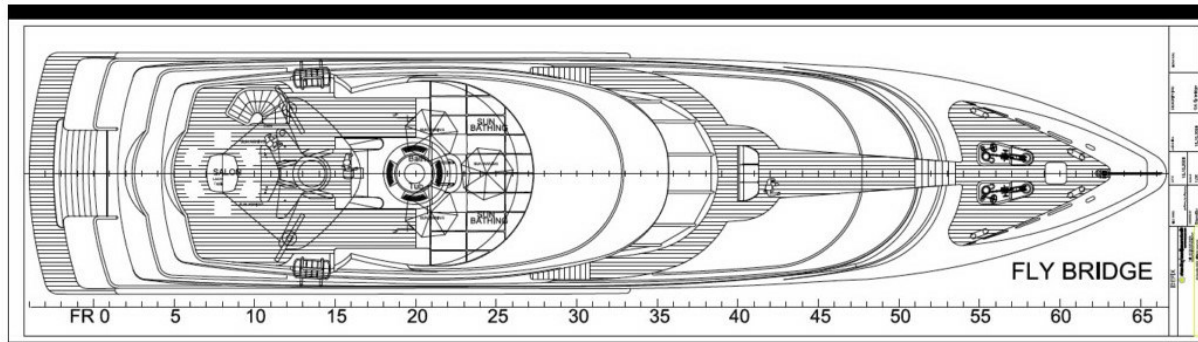
Waterskis

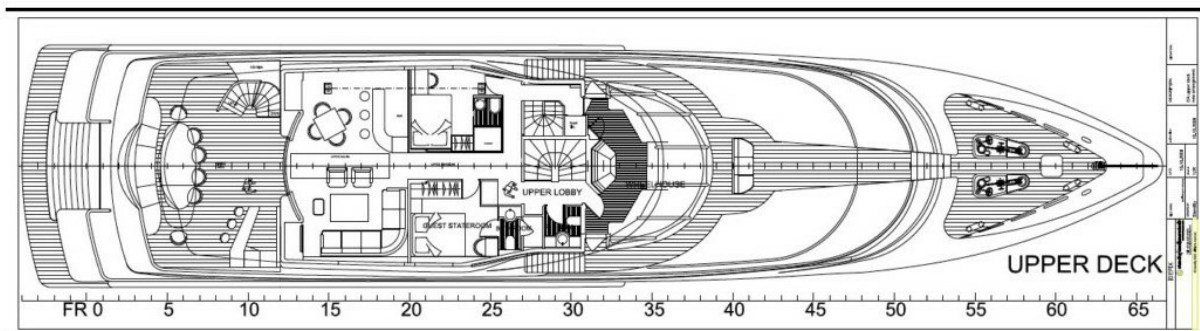


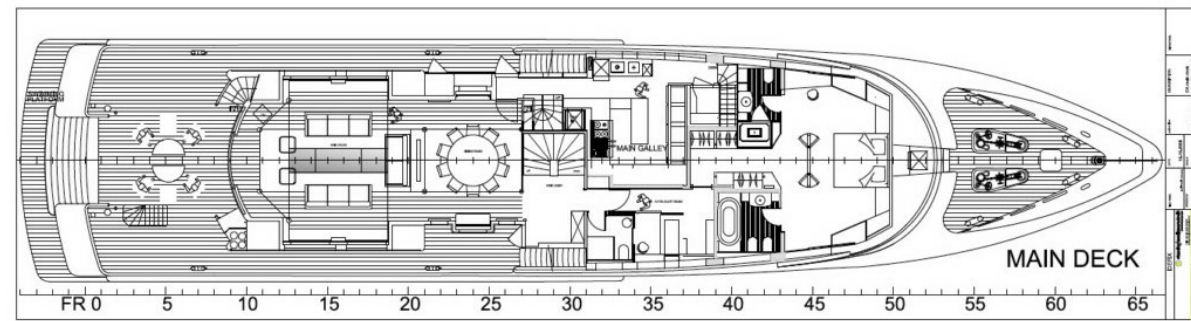
Inflatable tows



Snorkelling gear







BURGESS

WORLD CLASS. WORLD WIDE.

London +44 20 7766 4300	Monaco +377 97 97 81 21	New York +1 212 223 0410	Miami +1 305 672 0150	Singapore +65 9665 8990	Beverly Hills +1 310 424 5112	Palma +34 971 495 413	Athens +30 210 967 1661
Dubai +971 4 425 5874	Phuket +66 7623 9739	Hong Kong +852 6496 2094	Tokyo +81 46 738 8612	Sydney +61 499 945 557	Mumbai +91 98211 67253	Shanghai +86 187 0898 6800	Rio de Janeiro +55 21 2553-3238
Aspen +1 970 710 2294							

Advertising of these vessel(s) in printed publications, on the internet or in any other medium is not permitted without prior written permission from Burgess. All particulars are given in good faith and are believed correct but they cannot be guaranteed.

Last updated: 23 January 2025