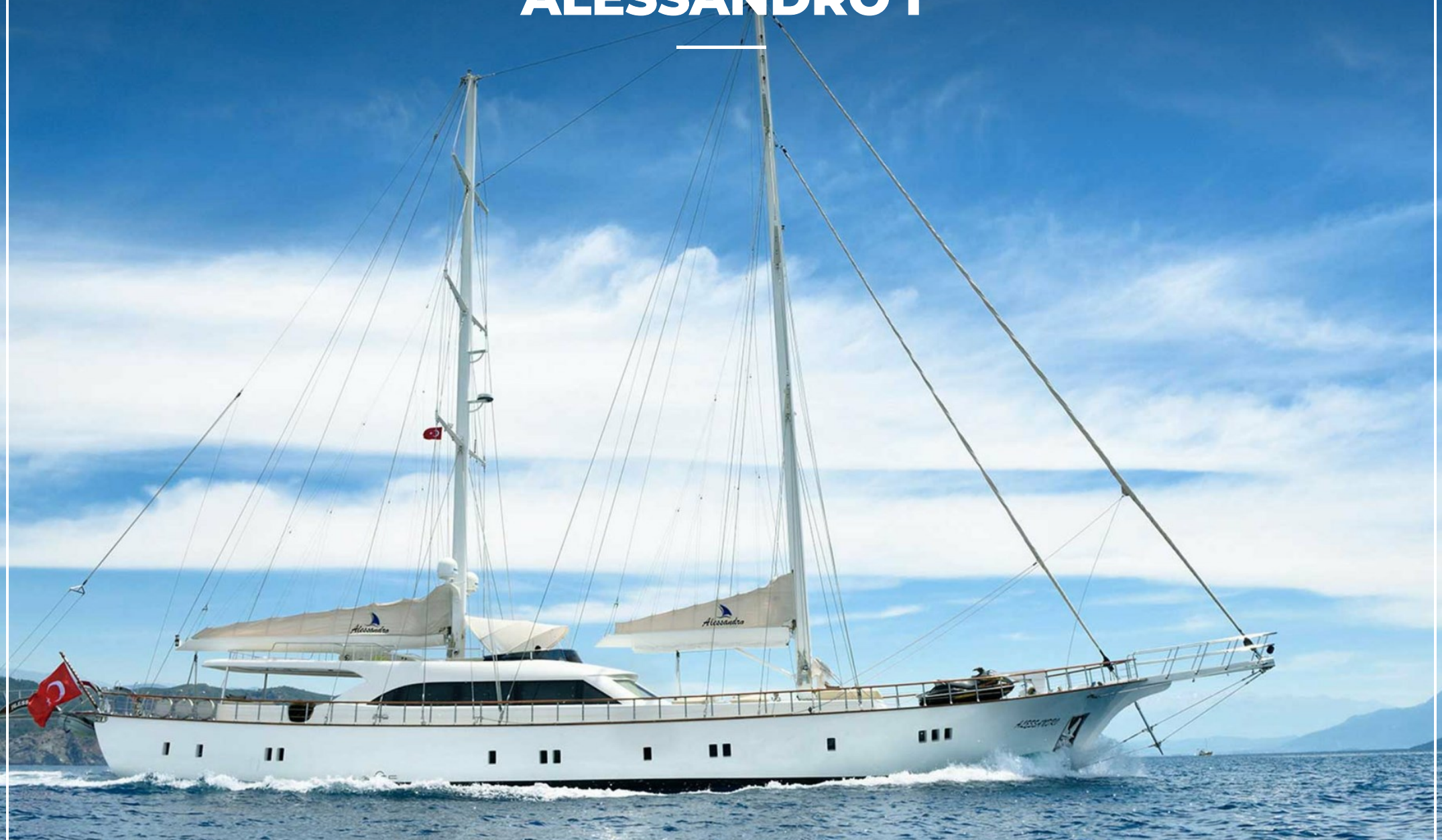


ALESSANDRO I



ALESSANDRO I

OVERVIEW.

Step aboard ALESSANDRO and embark on a sailing odyssey in the Mediterranean. This 40-metre (131ft) luxury cruising ketch combines classic features and some elegant details with a notably large amount of deck space dedicated to guests and plenty of interior volume. She's designed to host groups of up to 10 people on board in five cabins, with a crew of six at your service.

Her foredeck is an excellent feature with a large, comfortable day bed beneath a canvas awning plus four sun beds and a jacuzzi. Up on the bow you can venture out onto the bowsprit for a spectacular view as she sails through the waves – with luck you might encounter dolphins and it's the perfect place to watch them. With high safety railings all round her decks, she's an ideal choice for guests of all ages.

She also has a sociable lounge on the sundeck with seating in both full sun and shade and an elevated view. It's the perfect spot for a cocktail before or after dinner. The main deck aft is a comfortable outdoor dining area with seats around a table and a drop-down TV for movie nights on board.

When she's anchored in a bay, a bathing platform folds out of her stern and a few steps lead down to the water, where you can board her tender for a beach landing or a trip to harbour, jump onto a jet ski, set off on a paddleboard or canoe, explore underwater with a SeaBob, enjoy a high-speed ride on an inflatable tow, or simply go for a swim. Water skiing and wakeboarding are also included.

The main inside social space is her bright and airy deckhouse where there's a lounge, a cocktail bar and a dining table with an all-round view of the sea. The master suite is a full-beam cabin located forward on the lower deck with a private lounge area and a marble en suite bathroom. The other guest cabins are three doubles, including a VIP suite, plus a twin-bed cabin. She also has an onboard sauna, satellite TV, wi-fi and air conditioning throughout the accommodation.

Key features

Performance sailing yacht

Regularly maintained

Shaded deck areas

Jacuzzi on flybridge

Crew with local knowledge and expertise

ALESSANDRO I

Flybridge



Main deck aft dining



Main deck aft dining



Jacuzzi on the fly bridge



ALESSANDRO I

Foredeck lounge



Swim platform



Main deck lounge



Master cabin - Lower deck



ALESSANDRO I

Master cabin en suite



Double cabin - Lower deck



Double cabin - Lower deck



Double cabin - Lower deck



ALESSANDRO I

Toys



Sailing



Sailing



BURGESS

Discover the difference.
burgessyachts.com



ALESSANDRO I

SPECIFICATION.



Length
40m (131.2ft)



Built
2011 (refitted 2015), Ruth Yachting, Turkey



Interior designer
Viking



Beam
8.4m (27.6ft)



Draft min/max
-/3.7m (12.1ft)



Cruising speed
9 knots



Maximum speed
13 knots



Fuel consumption at cruising speed
120 litres per hour



Engines
2 x 550hp Volvo Penta



Guests
10



No. of guest cabins
5 (4 x double, 1 x twin)



Crew
6

Note

Fully licensed for charters in Greek waters.

[View yacht on website](#)



ALESSANDRO I

TENDERS & TOYS



2 × Tenders



1 × Deck jacuzzi



1 × Waverunner



1 × SeaBob



5 × Stand up paddleboards



Wakeboard



Kneeboard



Waterskis



Inflatable tows



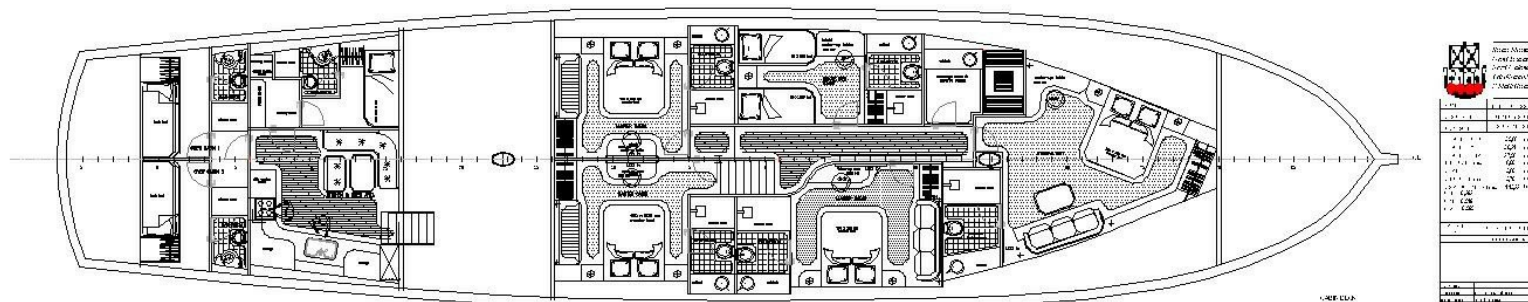
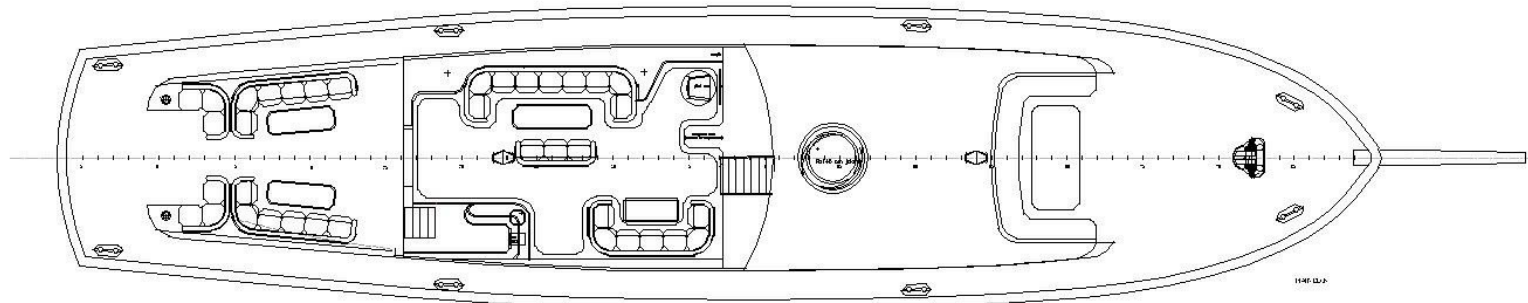
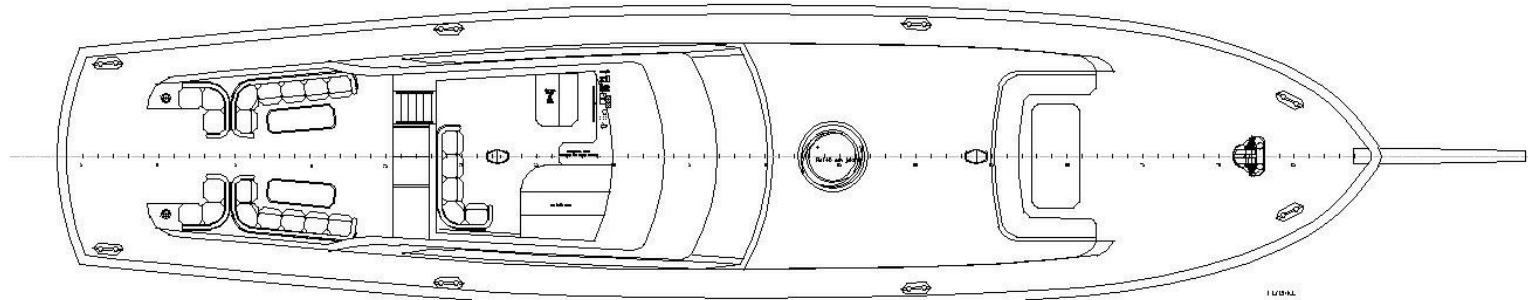
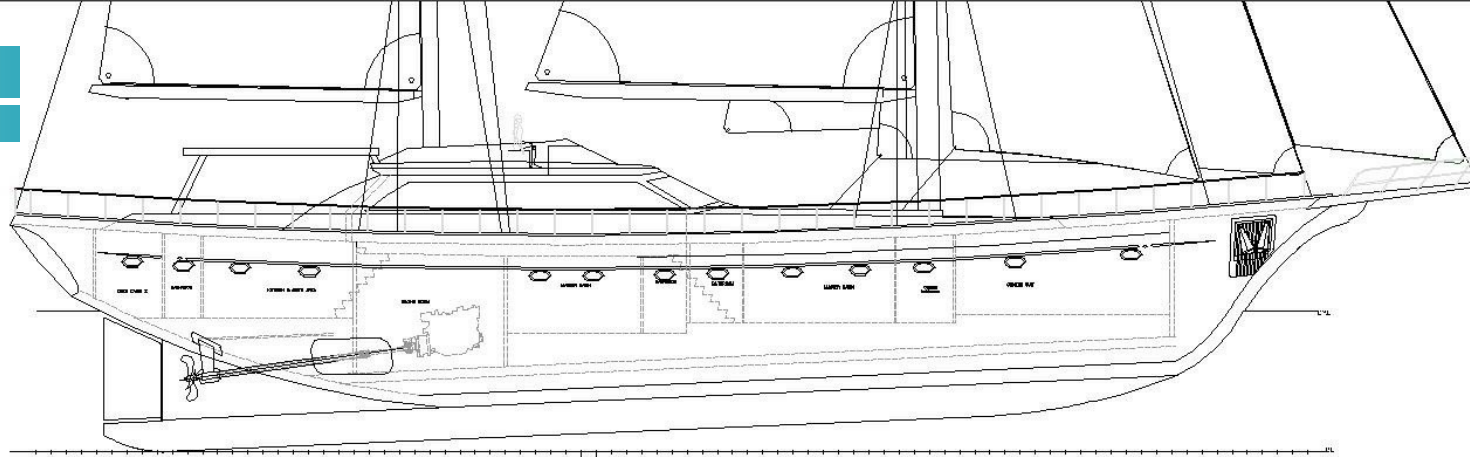
Snorkelling gear



Fishing gear

ALESSANDRO I

Deck plans



Logo of the yacht's manufacturer or designer, featuring a stylized 'B' and 'Y' inside a circle.

ITEM	DESCRIPTION	QTY	UNIT	PRICE	TOTAL
1
2
3
4
5
6
7
8
9
10
11
12
13
14
15
16
17
18
19
20
21
22
23
24
25
26
27
28
29
30
31
32
33
34
35
36
37
38
39
40
41
42
43
44
45
46
47
48
49
50
51
52
53
54
55
56
57
58
59
60
61
62
63
64
65
66
67
68
69
70
71
72
73
74
75
76
77
78
79
80
81
82
83
84
85
86
87
88
89
90
91
92
93
94
95
96
97
98
99
100



BURGESS

WORLD CLASS. WORLD WIDE.

London +44 20 7766 4300	Monaco +377 97 97 81 21	New York +1 212 223 0410	Miami +1 305 672 0150	Singapore +65 9665 8990	Beverly Hills +1 310 424 5112	Palma +34 971 495 413	Athens +30 210 967 1661
Dubai +971 4 425 5874	Phuket +66 7623 9739	Hong Kong +852 6496 2094	Tokyo +81 46 738 8612	Sydney +61 499 945 557	Mumbai +91 98211 67253	Shanghai +86 187 0898 6800	Rio de Janeiro +55 21 2553-3238
Aspen +1 970 710 2294							

Advertising of these vessel(s) in printed publications, on the internet or in any other medium is not permitted without prior written permission from Burgess. All particulars are given in good faith and are believed correct but they cannot be guaranteed.

Last updated: 07 March 2025